



For The ON-THE-GO Pet™

INSTRUCTION MANUAL

EASY STEP II EXTRA WIDE

PG9720XL



To see our full line of products, visit us online at: www.petgearinc.com

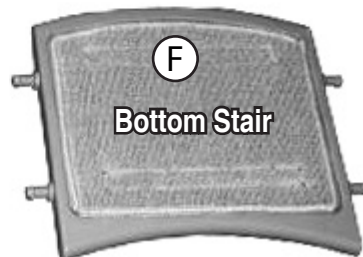
CUSTOMER SERVICE HELP DESK

customerservice@petgearinc.com

Toll-Free 877-752-9123 - Eastern Standard Time 8am-3pm, Monday through Friday

PARTS LIST

Check that you have all the parts shown BEFORE assembling your product.
If any parts are missing, call Customer Service.



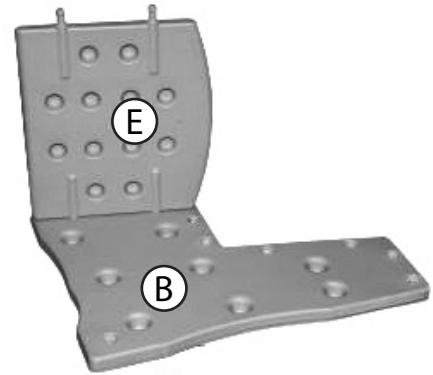
ASSEMBLY INSTRUCTIONS

Step 1

Place right panel, part (B) on floor with **PET GEAR** Logo facing the floor and insert top stair, part (E).

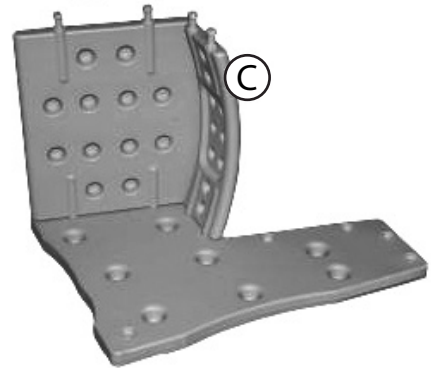
Keep the **STRAIGHT EDGE** toward the back and rug facing the top. Make sure there are no gaps between parts after inserting.

(If inserting part is difficult put a little dish soap on doweled end before inserting.)



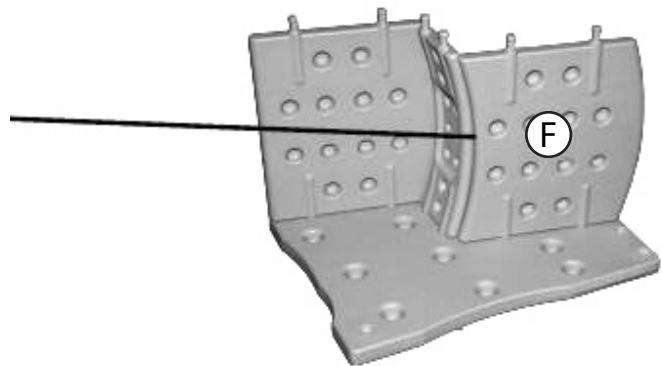
Step 2

Insert riser, part (C). Make sure there are no gaps between parts after inserting.



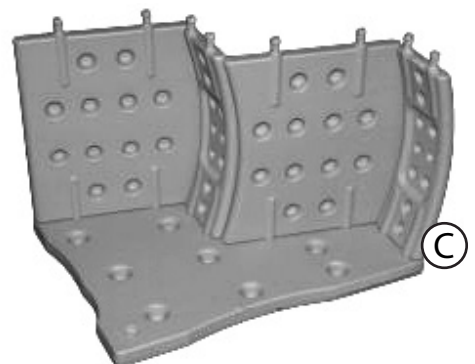
Step 3

Insert bottom stair, part (F). Note the **CURVED SIDE** direction. Make sure there are no gaps between parts after inserting.



Step 4

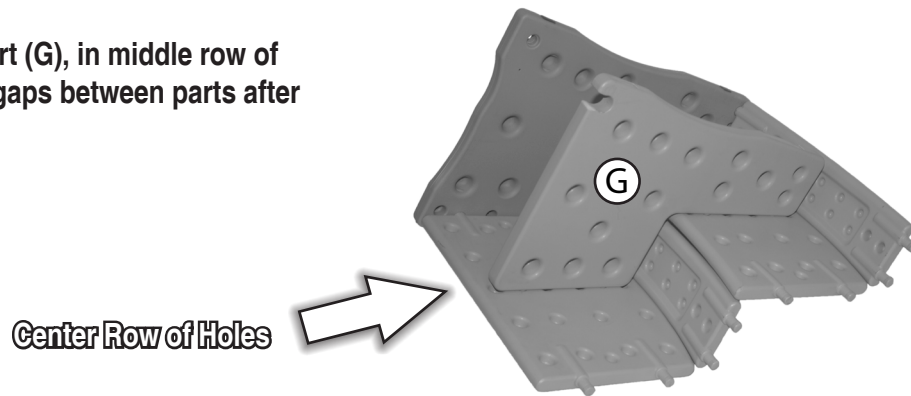
Insert riser, part (C). Make sure there are no gaps between parts after inserting.



ASSEMBLY INSTRUCTIONS

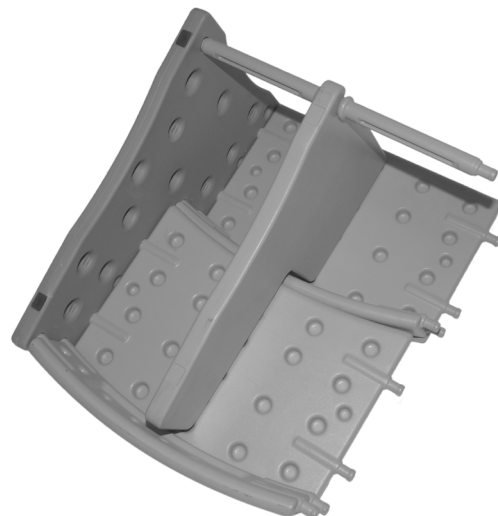
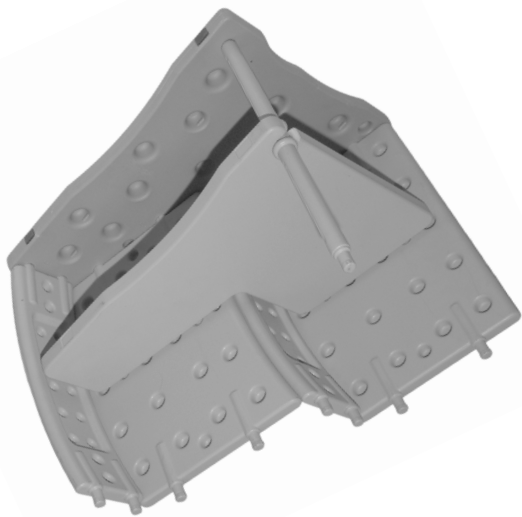
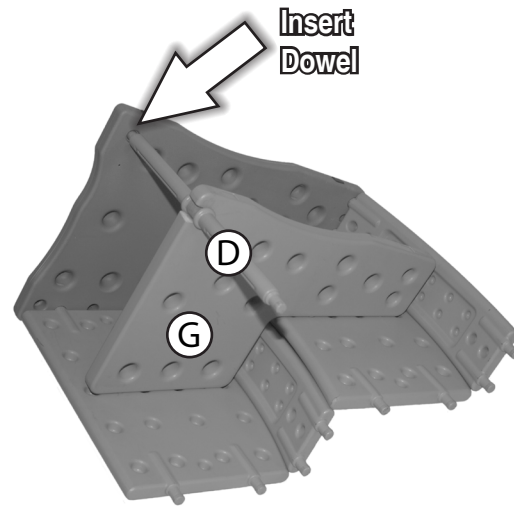
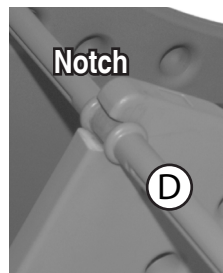
Step 5

Insert center support panel, part (G), in middle row of holes. Make sure there are no gaps between parts after inserting.



Step 6

Insert dowel, part (D), into hole and slide into notch on center support panel.

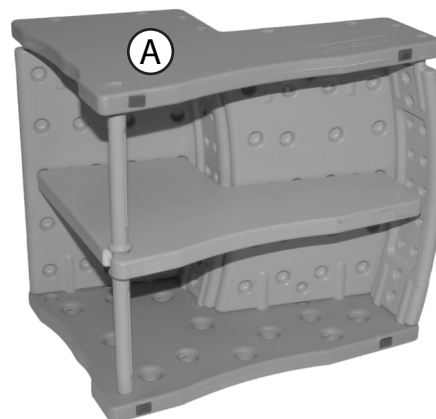


ASSEMBLY INSTRUCTIONS

Step 7

Attach left panel, part (A). Align all holes before pushing panel down.

Make sure there are no gaps between parts after inserting.



WARNING!

FOR PETS ONLY.

Not intended to be used as a restraining device for aggressive or dangerous animals that dig, chew or paw aggressively. Do not leave your pet unattended. **PET GEAR** is not liable for any damage caused by aggressive, destructive, immature or untrained animals. Do not use near an open or exposed flame. Failure to follow these warnings and the instructions could result in serious injury or death.

REPLACEMENT PARTS

Use only **PET GEAR** replacement parts.

Please have your model number ready before calling.

You can also request parts: <http://www.petgearinc.com/main.asp?sel=2>



192 Sheldon Avenue • West Rutland, VT 05777 • 877-752-9123 • www.petgearinc.com